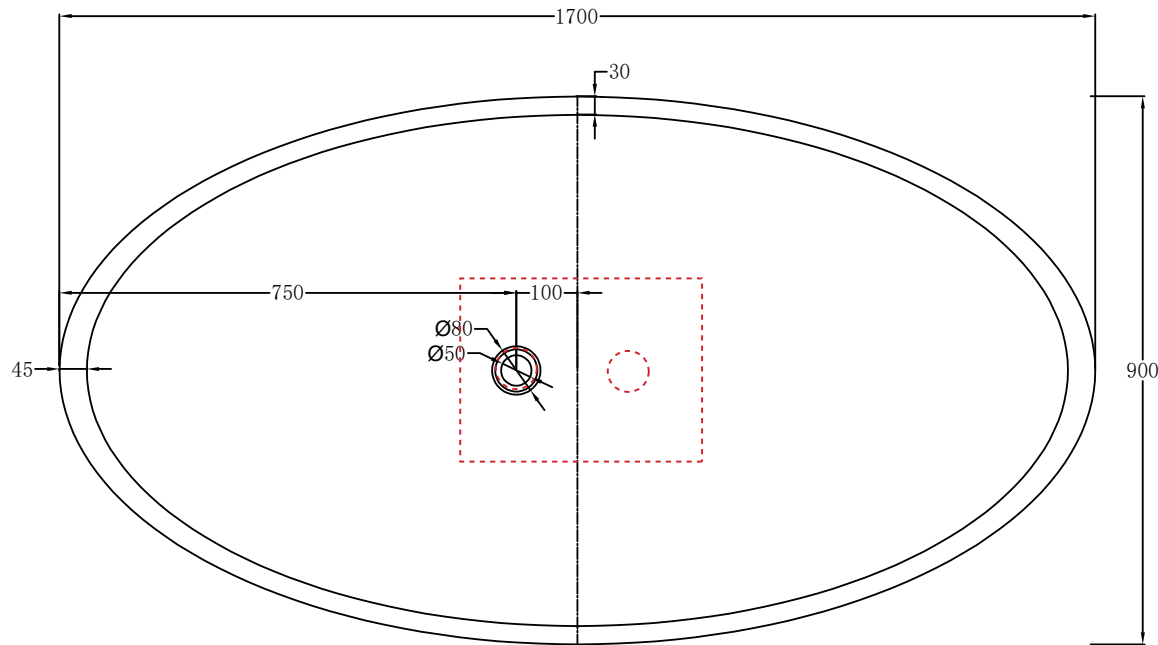



Recess in the floor for the purpose of a bathtub siphon  
40x30 cm, depth 12 cm



|  |
|--|
|  <h1>TORTU</h1> <p><b>BETON</b><br/>bath<br/>TUB-5005</p> |
| <p>L 1700 mm W 900 mm H 500 mm<br/>material: concrete<br/>weight: 182 kg</p>   |