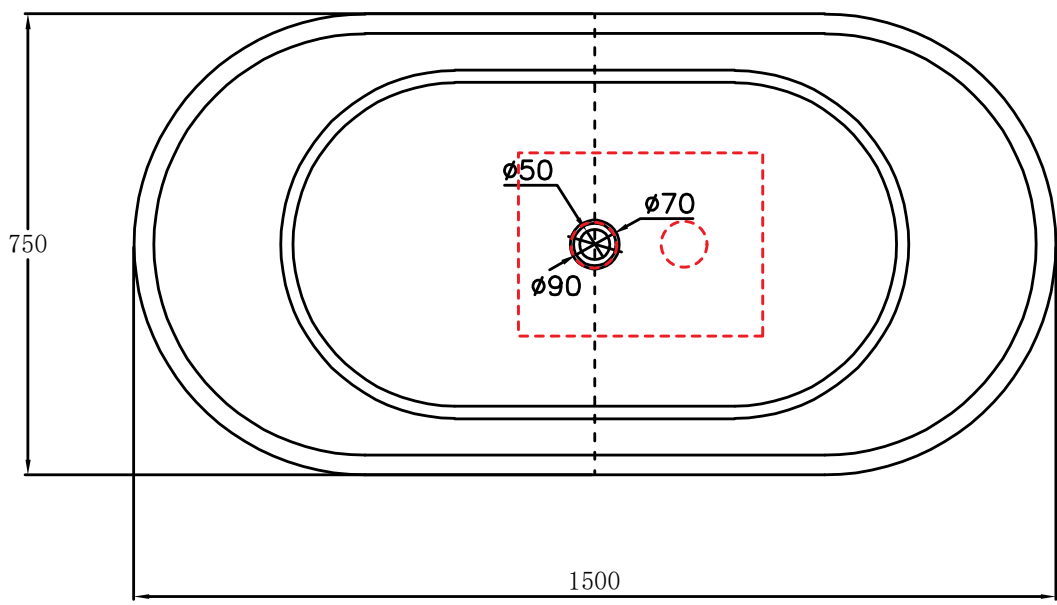
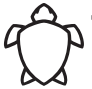


Recess in the floor for the purpose of a bathtub siphon
 40x30 cm, depth 12 cm



 <h1 style="margin: 0;">TORTU</h1> <p style="margin: 0;">BETON bath TUB-5002</p>
<p>L 1500 mm W 750 mm H 520 mm material: concrete weight: 150 kg</p>