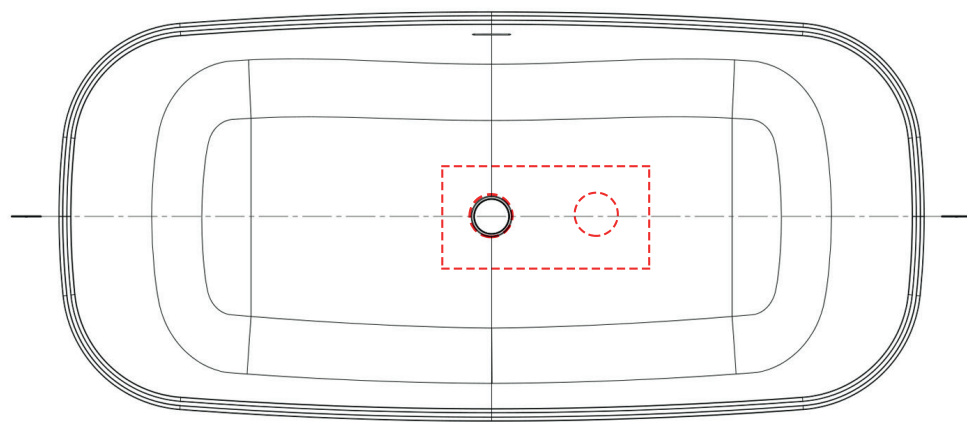
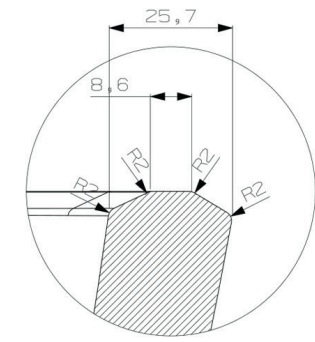
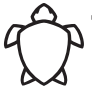


Recess in the floor for the purpose of a bathtub siphon
40x30 cm, depth 12 cm



volume: 454 liters up to overflow

DESIGNED BY **THIJS SMEETS DESIGN**

 <h1>TORTU</h1> <p>METROPOL bath C01026AB16</p>
<p>L 1800 mm W 850 mm H 570 mm material: Cristalplant weight: 100 kg</p>

tortuworld.com